



DC-D Series

Installation Manual

*DC-D1011 / DC-D1022W / DC-D1022WR / DC-D1111 /
DC-D1122 / DC-D1122R / DC-D1122V / DC-D1122VR /
DC-D1122W / DC-D1122WR / DC-D1123 / DC-D1123R /
DC-D1123V / DC-D1123VR / DC-D1123W / DC-D1123WR /
DC-D1123WHR / DC-D1212R / DC-D1223 / DC-D1223R /
DC-D1223V / DC-D1223VR / DC-D1223W / DC-D1223WR /
DC-D1223WHR / DC-D1323R / DC-D1323WR /
DC-D1323WHR*

Before reading this manual

This is a basic installation manual for use of an IDIS network camera. Users who are using this product for the first time, as well as users with experience using comparable products, must read this operation manual carefully before use and heed to the warnings and precautions contained herein while using the product. Safety warnings and precautions contained in this operation manual are intended to promote proper use of the product and thereby prevent accidents and property damage and must be followed at all times. Once you have read this operation manual, keep it at an easily accessible location for future reference.

- The manufacturer will not be held responsible for any product damage resulting from the use of unauthorized parts and accessories or from the user's failure to comply with the instructions contained in this manual.
- The information in this document is believed to be accurate as of the date of publication even though explanation about some functions may not be incorporated. The manufacturer is not responsible for any problems resulting from the use thereof. The information contained herein is subject to change without notice. Revisions or new editions to this publication may be issued to incorporate such changes.
- It is recommended that first-time users of this network camera and individuals who are not familiar with its use seek technical assistance from their retailer regarding product installation and use.
- If you need to disassemble the product for functionality expansion or repair purposes, you must contact your retailer and seek professional assistance.
- Both retailers and users should be aware that this product has been certified as being electromagnetically compatible for commercial use. If you have sold or purchased this product unintentionally, please replace with a consumer version.

Safety Symbols

Symbol	Publication	Description
	IEC60417, No.5031	Direct current

In-Text

Symbol	Type	Description
	Caution	Important information concerning a specific function.
	Note	Useful information concerning a specific function.

Classification of products by model

This manual explains two types of models. The **TYPE1**/**TYPE2** icons in the manual specify the following models. The **TYPE1** models support features like the Alarm In/Out, Audio Input/Output, and recording videos in the SD memory card.

Types of models	Model
TYPE1	DC-D1123 / DC-D1123R / DC-D1123V / DC-D1123VR / DC-D1123W / DC-D1123WR / DC-D1123WHR / DC-D1223 / DC-D1223R / DC-D1223V / DC-D1223VR / DC-D1223W / DC-D1223WR / DC-D1223WHR / DC-D1323R / DC-D1323WR / DC-D1323WHR
TYPE2	DC-D1011 / DC-D1022W / DC-D1022WR / DC-D1111 / DC-D1122 / DC-D1122R / DC-D1122V / DC-D1122VR / DC-D1122W / DC-D1122WR / DC-D1212 / DC-D1212R

Safety Precautions

WARNING

RISK OF ELECTRIC SHOCK
DO NOT OPEN

WARNING: TO REDUCE THE RISK OF ELECTRIC SHOCK,
DO NOT REMOVE COVER (OR BACK).
NO USER-SERVICEABLE PARTS INSIDE.
REFER SERVICING TO QUALIFIED SERVICE PERSONNEL.

Important Safeguards

1. Read Instructions

All the safety and operating instructions should be read before the appliance is operated.

2. Retain Instructions

The safety and operating instructions should be retained for future reference.

3. Cleaning

Unplug this equipment from the wall outlet before cleaning it. Do not use liquid aerosol cleaners. Use a damp soft cloth for cleaning.

4. Attachments

Never add any attachments and/or equipment without the approval of the manufacturer as such additions may result in the risk of fire, electric shock or other personal injury.

5. Water and/or Moisture

Do not use this equipment near water or in contact with water.

6. Placing and Accessories

Do not place this equipment on a wall or ceiling that is not strong enough to sustain the camera. The equipment may fall, causing serious injury to a child or adult, and serious damage to the equipment. Wall or shelf mounting should follow the manufacturer's instructions, and should use a mounting kit approved by the manufacturer.



This equipment and cart combination should be moved with care. Quick stops, excessive force, and uneven surfaces may cause the equipment and cart combination to overturn.

Do not place this equipment in an enclosed space. Sufficient ventilation is required to prevent an increase in ambient temperature which can cause malfunction or the risk of fire.

7. Power Sources

This equipment should be operated only from the type of power source indicated on the marking label. If you are not sure of the type of power, please consult your equipment dealer or local power company. You may want to install a UPS (Uninterruptible Power Supply) system for safe operation in order to prevent damage caused by an unexpected power stoppage. Any questions concerning UPS, consult your UPS retailer.

This equipment should be remain readily operable.

8. Power Cord

Operator or installer must remove power and TNT connections before handling the equipment.

9. Lightning

For added protection for this equipment during a lightning storm, or when it is left unattended and unused for long periods of time, unplug it from the wall outlet and disconnect the antenna or cable system. This will prevent damage to the equipment due to lightning and power-line surges. If thunder or lightning is common where the equipment is installed, use a surge protection device.

10. Overloading

Do not overload wall outlets and extension cords as this can result in the risk of fire or electric shock.

11. Objects and Liquids

Never push objects of any kind through openings of this equipment as they may touch dangerous voltage points or short out parts that could result in a fire or electric shock. Never spill liquid of any kind on the equipment.

12. Servicing

Do not attempt to service this equipment yourself. Refer all servicing to qualified service personnel.

13. Damage requiring Service

Unplug this equipment from the wall outlet and refer servicing to qualified service personnel under the following conditions:

- When the power-supply cord or the plug has been damaged.
- If liquid is spilled, or objects have hit the equipment.
- If the equipment has been exposed to rain or water.
- If the equipment does not operate normally by following the operating instructions, adjust only those controls that are covered by the operating instructions as an improper adjustment of other controls may result in damage and will often require extensive work by a qualified technician to restore the equipment to its normal operation.
- If the equipment has been dropped, or the cabinet damaged.
- When the equipment exhibits a distinct change in performance — this indicates a need for service.

14. Replacement Parts

When replacement parts are required, be sure the service technician has used replacement parts specified by the manufacturer or that have the same characteristics as the original part. Unauthorized substitutions may result in fire, electric shock or other hazards.

15. Safety Check

Upon completion of any service or repairs to this equipment, ask the service technician to perform safety checks to determine that the equipment is in proper operating condition.

16. Field Installation

This installation should be made by a qualified service person and should conform to all local codes.

17. Correct Batteries

Warning: Risk of explosion if battery is replaced by an incorrect type. Replace only with the same or equivalent type.


Dispose of used batteries according to the instructions.

The battery shall not be exposed to excessive heat such as sunshine, fire or the like.

18. Tmra

A manufacturer's maximum recommended ambient temperature (Tmra) for the equipment must be specified so that the customer and installer may determine a suitable maximum operating environment for the equipment.

Before reading this manual

Risk Group1	
	WARNING IR emitted from this product. Do not stare at operating lamp
<i>Product tested against IEC62471</i>	

Warning: This product emits infrared light. Do not look into the IR LED.

FCC Compliance Statement

THIS EQUIPMENT HAS BEEN TESTED AND FOUND TO COMPLY WITH THE LIMITS FOR A CLASS A DIGITAL DEVICE, PURSUANT TO PART 15 OF THE FCC RULES. THESE LIMITS ARE DESIGNED TO PROVIDE REASONABLE PROTECTION AGAINST HARMFUL INTERFERENCE WHEN THE EQUIPMENT IS OPERATED IN A COMMERCIAL ENVIRONMENT. THIS EQUIPMENT GENERATES, USES, AND CAN RADIATE RADIO FREQUENCY ENERGY AND IF NOT INSTALLED AND USED IN ACCORDANCE WITH THE INSTRUCTION MANUAL, MAY CAUSE HARMFUL INTERFERENCE TO RADIO COMMUNICATIONS. OPERATION OF THIS EQUIPMENT IN A RESIDENTIAL AREA IS LIKELY TO CAUSE HARMFUL INTERFERENCE, IN WHICH CASE USERS WILL BE REQUIRED TO CORRECT THE INTERFERENCE AT THEIR OWN EXPENSE. **WARNING:** CHANGES OR MODIFICATIONS NOT EXPRESSLY APPROVED BY THE PARTY RESPONSIBLE FOR COMPLIANCE COULD VOID THE USER'S AUTHORITY TO OPERATE THE EQUIPMENT. THIS CLASS OF DIGITAL APPARATUS MEETS ALL REQUIREMENTS OF THE CANADIAN INTERFERENCE CAUSING EQUIPMENT REGULATIONS.

WEEE (Waste Electrical & Electronic Equipment)

Correct Disposal of This Product
(Applicable in the European Union and other European countries with separate collection systems)



This marking shown on the product or its literature, indicates that it should not be disposed with other household wastes at the end of its working life. To prevent possible harm to the environment or human health from uncontrolled waste disposal, please separate this from other types of wastes and recycle it responsibly to promote the sustainable reuse of material resources.

Household users should contact either the retailer where they purchased this product, or their local government office, for details of where and how they can take this item for environmentally safe recycling.

Business users should contact their supplier and check the terms and conditions of the purchase contract. This product should not be mixed with other commercial wastes for disposal.

Copyright

© 2016 IDIS Co., Ltd.

IDIS Co., Ltd. reserves all rights concerning this operation manual.

Use or duplication of this operation manual in part or whole without the prior consent of IDIS Co., Ltd. is strictly prohibited.

Contents of this operation manual are subject to change without prior notice for reasons such as functionality enhancements.

Registered Trademarks

IDIS is a registered trademark of IDIS Co., Ltd.

Other company and product names are registered trademarks of their respective owners.

This product contains software built partially on open-source content. Codes for the corresponding open-source content are available for download. For more information, refer to the software CD (OpenSourceGuide\OpenSourceGuide.pdf) or the open source guide accompanying this operation manual.

Table of Contents

1

Part 1 – Introduction.....	6
Product Features	6
Accessories.....	8
Overview	9
Dome Cover	9
Body.....	10
Factory Reset	14
Lens	14
I/O Device Port.....	15
Installation	18
Installation.....	18
Angle Adjustment.....	21
Dimensions	21

2

Part 2 - Camera Connection	23
With DirectIP™ NVR-based Layout.....	23
With non DirectIP™ NVR-based Layout	24

3

Part 3- Appendix	25
Troubleshooting	25
Specifications	26

Part 1 – Introduction

Product Features

DC-D1011 / DC-D1022W / DC-D1022WR / DC-D1111 / DC-D1122 / DC-D1122R / DC-D1122V / DC-D1122VR / DC-D1122W / DC-D1122WR / DC-D1123 / DC-D1123R / DC-D1123V / DC-D1123VR / DC-D1123W / DC-D1123WR / DC-D1123WHR / DC-D1212 / DC-D1212R / DC-D1223 / DC-D1223R / DC-D1223V / DC-D1223VR / DC-D1223W / DC-D1223WR / DC-D1223WHR / DC-D1323R / DC-D1323WR / DC-D1323WHR are IP-based network cameras that compress and transmit video over ethernet.

You can use the IDIS Discovery program to change network camera settings or the IDIS Solution Suite Compact program to manage multiple network cameras. In addition, the embedded web server (IDIS Web) lets you remotely view live video or scan recorded video using a web browser. In addition, you can use the IDIS Solution Suite Compact to manage network cameras and view/record video.



In this operation manual, the term **Remote System** refers to the computer on which the remote program (IDIS Solution Suite Compact or IDIS Web) is running.

- Multi-streaming for high-resolution and high-quality video monitoring and simultaneous recording in real-time as well as flexible configurations for those
 - Supports H.264 video compression and M-JPEG still image compression algorithms
 - Supports 4-stage video compression rate and multiple compression resolutions
 - Two-way audio communication support for remote audio dialog **TYPE 1**
 - Video stream buffering to counter pre-/post-event buffering and network delays for improved network recording reliability
 - Remote monitoring via web browser or remote software
 - Automatic web casting code (HTML) generation
 - Up to 10 simultaneous remote monitoring connections
 - IP filtering, HTTPS, SSL, IEEE 802.1X, and configurable user authority levels for greater security
 - Network bandwidth limitation and MAT features for more efficient use of network bandwidth
 - Easy network access via UPnP (Universal Plug and Play) function and embedded mDNS (Multicast DNS) protocol
- Supports DirectIP mode working with a DirectIP™ NVR that allows users to simply set up all required configurations without a PC
 - Supports ONVIF protocol (Profile S)

- Wide dynamic range compensation (Digital WDR) for improved video quality in high-contrast situations
- Slow shutter support for improved low-lighting video capture performance
- Day & Night feature (built-in IR cut filter changer) *Not applicable to DC-D1011 / DC-D1111*
- Quick and easy firmware upgrade over the network
- Redundant firmware and auto recovery features for improved system stability
- Network-based integrated management of multiple network cameras
- Multiple event detection modes: Alarm-in, motion detection, trip zone, audio detection, and tampering (alarm-in and audio detection modes are available for **TYPE 1** models only)
- Backup storage on a microSD memory card as a safeguard against data loss during network interruptions **TYPE 1**
- Supports 12 VDC and PoE (Power over Ethernet) (12 VDC not supported by *DC-D1212 / DC-D1212R*)
- Features a variable focus automatic iris (mega pixel lens) *Not applicable to DC-D1011 / DC-D1111 / DC-D1212R*
- Video out feature (selectable NTSC/PAL)
- Features a built-in heater for continued use in sub-zero temperature conditions (*DC-D1123WHR / DC-D1223WHR / DC-D1323WHR*, with the use of a 12 VDC adapter)



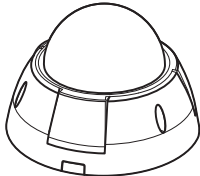
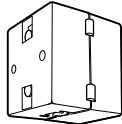
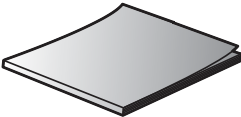
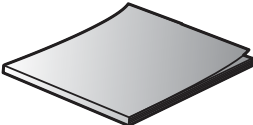

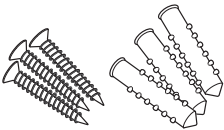
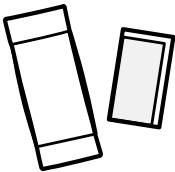

Remote monitoring and recording via multistreaming are available using the IDIS Solution Suite Compact program. For more information on using IDIS Solution Suite Compact, refer to its **operation manual**.



There is a limit to the number of users allowed to connect remotely via the Internet at the same time.

Accessories

Upon purchasing the product, check inside the box to make sure all the following accessories are included. External appearances and colors of the accessories may vary depending on the model.

	
<p>Network Camera</p>	<p>Ferrite Core</p>
	
<p>Open Source Guide</p>	<p>Quick Guide</p>
	
<p>Allen Wrench</p>	<p>Screws (3 ea.)</p>
	
<p>Desiccant</p>	<p>Cable Access Hole Rubber</p>

- *DC-D1212R* supports PoE power input only so it does not include a DC adapter.
- An allen wrench is included with *DC-D1022W / DC-D1022WR / DC-D1122V / DC-D1122VR / DC-D1122W / DC-D1122WR / DC-D1123V / DC-D1123VR / DC-D1123W / DC-D1123WR / DC-D1123WHR / DC-D1223V / DC-D1223VR / DC-D1223W / DC-D1223WR / DC-D1223WHR / DC-D1323WR / DC-D1323WHR* models only.
- A desiccant and cable access hole rubber is included with *DC-D1022W / DC-D1022WR / DC-D1122W / DC-D1122WR / DC-D1123W / DC-D1123WR / DC-D1123WHR / DC-D1223W / DC-D1223WR / DC-D1223WHR / DC-D1323WR / DC-D1323WHR* models only.

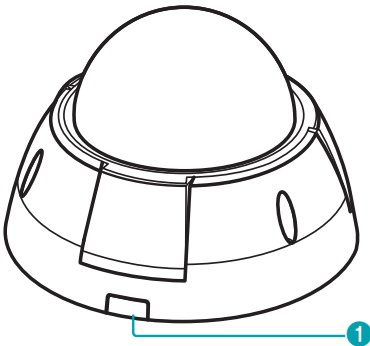
Overview

- ✓ Product color and design may vary depending on the model.

Dome Cover

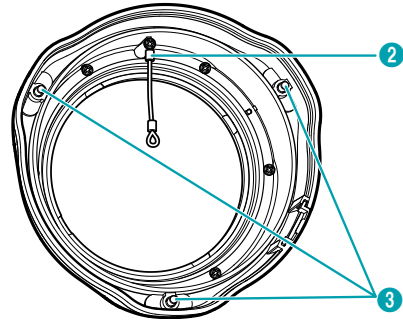
Top

- DC-D1022W / DC-D1022WR / DC-D1122V / DC-D1122VR / DC-D1122W / DC-D1122WR / DC-D1123V / DC-D1123VR / DC-D1123W / DC-D1123WR / DC-D1123WHR / DC-D1223V / DC-D1223VR / DC-D1223W / DC-D1223WR / DC-D1223WHR / DC-D1323WR / DC-D1323WHR



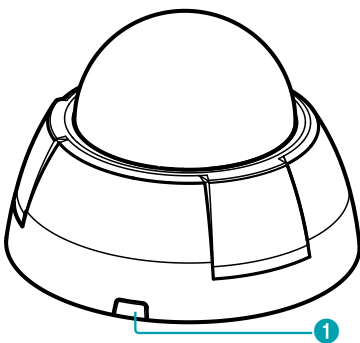
Bottom

- DC-D1022W / DC-D1022WR / DC-D1122V / DC-D1122VR / DC-D1122W / DC-D1122WR / DC-D1123V / DC-D1123VR / DC-D1123W / DC-D1123WR / DC-D1123WHR / DC-D1223V / DC-D1223VR / DC-D1223W / DC-D1223WR / DC-D1223WHR / DC-D1323WR / DC-D1323WHR

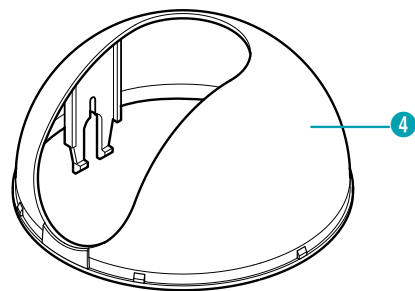


Shield Case

- DC-D1011 / DC-D1111 / DC-D1122 / DC-D1122R / DC-D1123 / DC-D1123R / DC-D1212 / DC-D1212R / DC-D1223 / DC-D1223R / DC-D1323R



- DC-D1022W / DC-D1122 / DC-D1122V / DC-D1122W / DC-D1123 / DC-D1123V / DC-D1123W / DC-D1212 / DC-D1223 / DC-D1223V / DC-D1223W



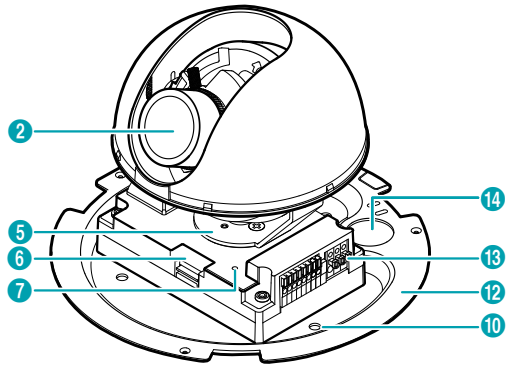
1	Side Cable Access
2	Safety Wire
3	Dome Cover Screws
4	Shield Case

- **Side Cable Access Hole**
For routing cables and wires.
- **Safety Wire**
Prevents the dome cover from falling on to the floor when detached from the camera.
- **Dome Cover Screws**
Secures the dome cover to the camera.
- **Shield Case**
Hides the camera's internals and blocks IR beam reflection.

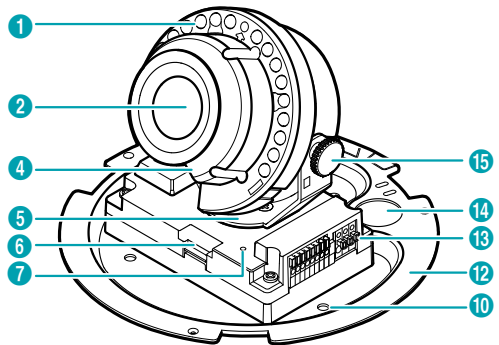
*DC-D1022W / DC-D1122 / DC-D1122V /
DC-D1122W / DC-D1123 / DC-D1123V /
DC-D1123W / DC-D1223 / DC-D1223V /
DC-D1223W only*

Body

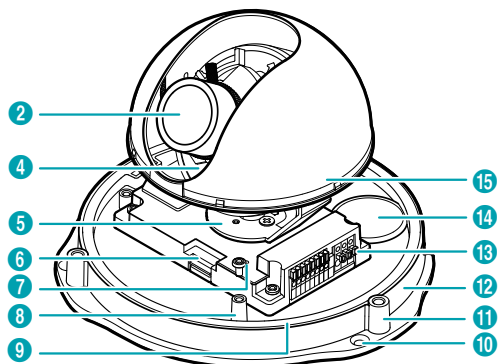
DC-D1123 / DC-D1223



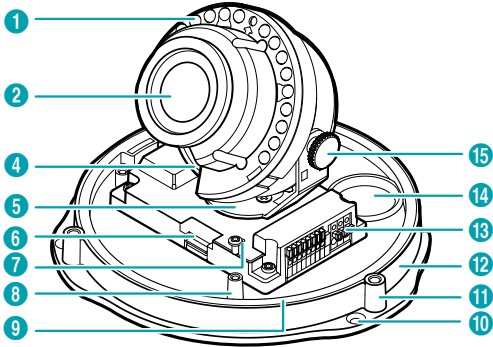
DC-D1123R / DC-D1223R / DC-D1323R



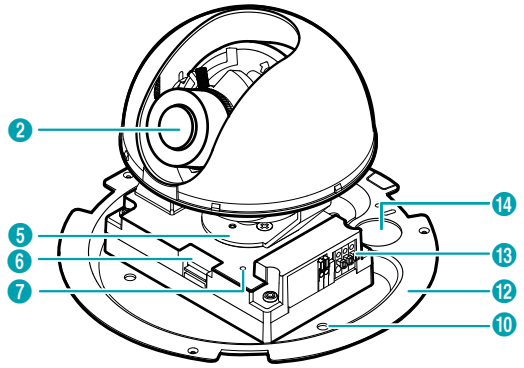
DC-D1123V / DC-D1223V / DC-D1123W / DC-D1223W



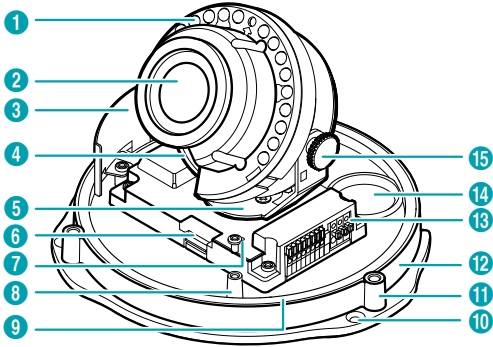
DC-D1123VR / DC-D1223VR / DC-D1123WR / DC-D1223WR / DC-D1323WR



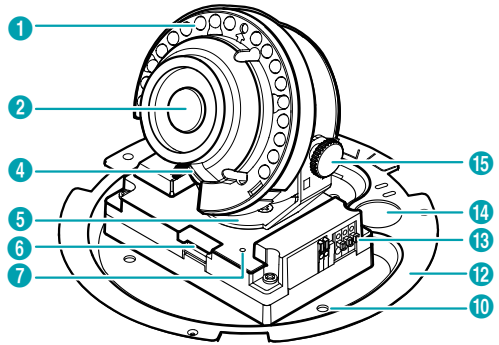
DC-D1122



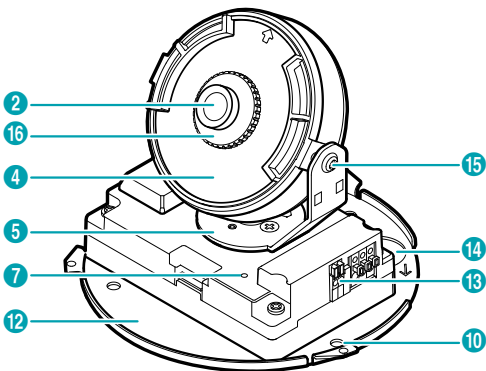
DC-D1123WHR / DC-D1223WHR / DC-D1323WHR



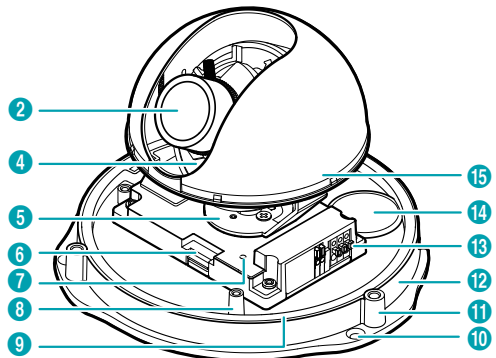
DC-D1122R



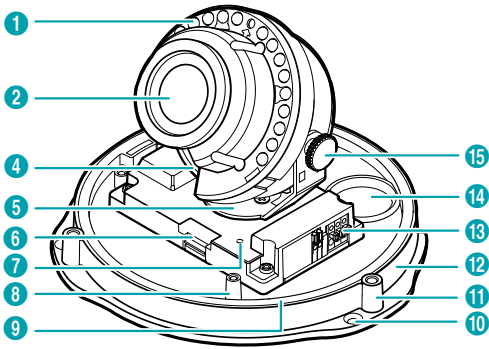
DC-D1011 / DC-D1111 / DC-D1212



DC-D1122V / DC-D1022W / DC-D1122W

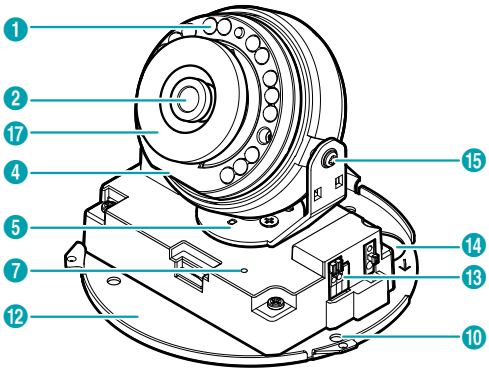


DC-D1122VR / DC-D1022WR / DC-D1122WR



13	I/O Device Port
14	Cable Access Hole
15	Vertical Rotation Adjustment Screw
16	Focus Lock Ring
17	Focus Lock Spring

DC-D1212R



• **IR LED**

A sensor in the middle monitors lighting levels and activates the IR LED during low-lighting conditions.

DC-D1022WR / DC-D1122VR / DC-D1122WR / DC-D1123R / DC-D1123VR / DC-D1123WHR / DC-D1123WR / DC-D1212R / DC-D1122R / DC-D1223R / DC-D1223VR / DC-D1223WHR / DC-D1223WR / DC-D1323R / DC-D1323WR / DC-D1323WHR only

• **Lens**

Features a variable focus auto iris lens or a fixed focus lens. *DC-D1011 / DC-D1111 / DC-D1212 / DC-D1212R* models feature a fixed focus lens.

• **Heater**

A built-in heater that enables normal operation in sub-zero temperature conditions.

DC-D1123WHR / DC-D1223WHR / DC-D1323WHR only



Requires a 12 VDC power source.

1	IR LED
2	Lens
3	Heater
4	Lens Rotator
5	Horizontal Rotator
6	SD Memory Card Slot
7	Factory Reset Switch
8	Safety Wire Screw Hole
9	O-Ring Groove
10	Wall/Ceiling Installation Hole
11	Dome Cover Screw Hole
12	Bottom Cover

• **Lens Rotator**

Turn the lens rotator clockwise or counterclockwise to adjust the lens' rotation angle.

• **Horizontal Rotator**

Used to adjust the lens' horizontal angle.

• **SD Memory Card Slot TYPE 1**

Used to insert a microSD memory card into the camera. (An SLC (Single Level Cell) or MLC (Multi Level Cell) card by SanDisk or Transcend is recommended)



- Do not remove the SD memory card while the system is in operation. Removing the card while the system is in operation can cause the system to malfunction and/or corrupt data stored on the SD memory card.
 - An SD memory card is a consumable product with a finite service life. Prolonged use will damage the card's memory sectors and result in data loss or memory card failure. Test the SD memory card regularly and replace it whenever necessary.
- **Factory Reset Switch**
Restores the camera's default factory settings. For more information, refer to the **Factory Reset**.
 - **Safety Wire Screw Hole**
Use the provided screw to secure the safety wire on to the dome cover and the bottom cover.
 - **O-Ring Groove**
O-ring is seated in the groove for waterproof. Do NOT remove the o-ring from the groove.
DC-D1022W / DC-D1022WR / DC-D1122W / DC-D1122WR / DC-D1123W / DC-D1123WR / DC-D1123WHR / DC-D1223W / DC-D1223WR / DC-D1223WHR / DC-D1323WR / DC-D1323WHR only
 - **Wall/Ceiling Installation Hole**
Used to screw the camera in place on a wall or a ceiling.
 - **Dome Cover Screw Hole**
Secures the dome cover to the camera.
 - **Bottom Cover**
Allows you to install the camera on a wall or a ceiling.

- **I/O Device Port**

Used to connect I/O devices to the camera.

- **Cable Access Hole**

For routing cables and wires.

If the camera is *DC-D1022W / DC-D1022WR / DC-D1122W / DC-D1122WR / DC-D1123W / DC-D1123WR / DC-D1123WHR / DC-D1223W / DC-D1223WR / DC-D1223WHR / DC-D1323R / DC-D1323WR / DC-D1323WHR*, block the cable access hole for waterproofing by using the enclosed cable access hole rubber when routing cables and wires. Waterproofing sealing is required by using silicone etc. after blocking the cable access hole. Ask your retailer for details.

- **Vertical Rotation Adjustment Screw**

Used to adjust the lens' angle and lock it in place.

- **Focus Lock Ring**

Locks in the focal point. Turn the ring in counterclockwise direction to unlock and then adjust the focus by turning the lens. Turn the ring in the clockwise direction to lock the focus point in place.

DC-D1011 / DC-D1111 only

- **Focus Lock Spring**

Locks in the focal point if you adjust the focus by turning the lens.

DC-D1212 / DC-D1212R only

Factory Reset

Only use the factory reset switch to restore the camera to its factory default settings.



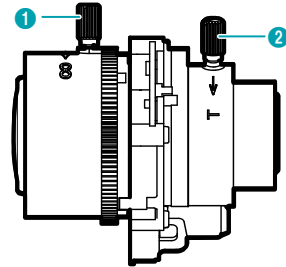
A factory reset will clear all camera settings configured by the user.

- 1 Shut off the power supply, insert a straight pin into the switch hole, and press down on the reset switch.
- 2 Hold the switch down and reconnect the power adapter.
- 3 Once the device turns back on and its LEDs start blinking, wait 5 seconds and then remove the pin.
- 4 The device will go through the resetting process and reboot. All camera settings will be restored to their factory defaults after the reboot.

It's also possible to do a factory reset by pressing and releasing the reset switch while the camera is turned on or using the IDIS Discovery program from a remote location. A factory reset will reboot the system. For more information on factory reset, refer to the [IDIS Discovery operation manual](#).

Lens

Variable Focus Automatic Iris Lens



1	Focus Lever	2	Zoom Lever
---	--------------------	---	-------------------

- **Focus Lever**

Adjust the focal point by turning the lever in clockwise or counterclockwise direction. Once the focal point has been adjusted, turn the screw in clockwise direction to lock it in place.

- **Zoom Lever**

Adjust the zoom by turning the lever in clockwise or counterclockwise direction. Once the zoom has been adjusted, turn the screw in clockwise direction to lock it in place. Lever length may vary depending on the model.

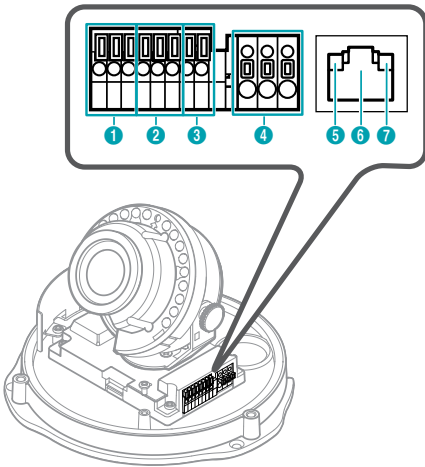


DC-D1011 / DC-D1111 / DC-D1212 / DC-D1212R

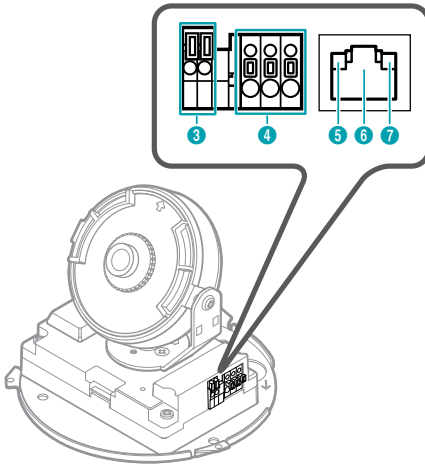
models do not feature a variable focus automatic iris lens.

I/O Device Port

TYPE 1



TYPE 2

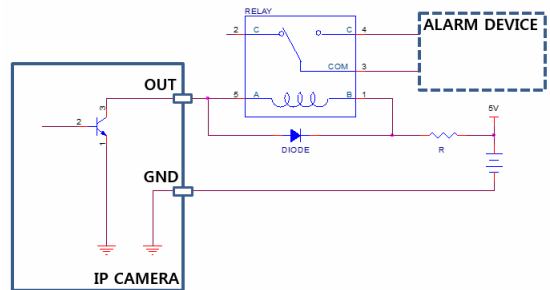


1	Alarm I/O	5	Network LED
2	Audio I/O	6	Network Port
3	Video Out	7	Power LED
4	Power		

Alarm In/Out TYPE 1

- **Out:** It is the BJT (Bipolar Junction Transistor) - open collector output. If the voltage and current exceed the specification limit (Max load: 50mA, Max Voltage: 30VDC), the product could be damaged. When connecting the device which exceeds the specification limit, refer to the picture (circuit) below.

If used with an external inductive load (e.g. relay), a diode must be connected in parallel with the load for protection. Otherwise, the product could be damaged.



- **In:** Connect an alarm-in device to this port. (Mechanism: Choose between an NC (Normally Closed) type or an NO (Normally Open) type) → Connect a mechanical or electrical switch to the alarm in port and the GND (ground) connector. Alarm in range is 0V to 5V. In order to detect alarm input from an electrical switch, the signal must be higher than 4.3V from an NC switch or less than 0.3V from an NO switch and must last for longer than 0.5 seconds.

Audio In/Out TYPE 1

- **Out:** Connect an amplifier to this port (line out). This device does not feature a built-in audio amplifier unit and therefore requires the user to purchase a separate speaker system with a built-in amplifier.
- **In:** Connect an audio source to this port. (line in)

- **Video Out**

- **CVBS (Video Out) & GND (Ground):** Connect the cable's signal line and ground line to these ports and the connector on its opposite end to a monitor. Use these ports for previewing video and not monitoring video. Go to Remote Setup (**System > General**) and choose a video out signal. (NTSC or PAL)

- **Power**

- **DC12V +/-:** Connect the two wires of the power adapter to these ports. Be careful not to cross the + and - wires. Booting will commence once connected to a power supply.
- **FGND (Frame Ground):** Used to ground the device.



DC-D1212 / DC-D1212R receives power via PoE (Power over Ethernet) and is therefore incompatible with DC12V power sources.

- **Network LED**

Indicates the network connection status. For more information, refer to the **LED Status Indications**. If the **Status LED** option under **System > General** has not been enabled, this LED will remain turned off regardless of the network connection status.

- **Network Port**

Connect a network cable with an RJ-45 connector to this port. If using a PoE switch, you can supply power to the camera using an ethernet cable. For more information on PoE switch use, refer to the switch manufacturer's operation manual. You can configure, manage, and upgrade this camera and monitor its images from a remote computer over the network. For more information on network connection setup, refer to the **IDIS Discovery operation manual**.

- **Power LED**

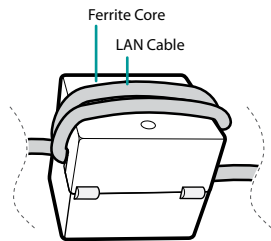
Indicates the system's operating status. For more information, refer to the **LED Status Indications**. If the **Status LED** option under **System > General** has not been enabled, this LED will remain turned off regardless of the system's operating status.



When inserting an alarm in/out, audio in/out, video out, or power connector, hold down the button and push the connector in through the exposed hole. (Alarm in/out and audio in/out apply to **TYPE 1** models only) Release the button and then gently pull on the wire to ensure a secure connection. To disconnect, press down on the button again and pull the wire out.



- Check your local laws and regulations on making video or audio recordings. The user will be held liable for any violation of the law. (Article 25-5 of the Personal Information Protection Act: Operators of image data processing devices may not operate such devices for purposes other than as originally intended during device installation, place such devices at locations other than as originally intended, or use such devices to record audio.)
- When switching over from 12 VDC to PoE as the power source, the system will be rebooted once the power adapter is disconnected.
- Ground the power port's frame ground terminal before use.
- Organize the power cable so that it will not cause people to trip over or become damaged from chairs, cabinets, desks, and other objects in the vicinity. Do not run the power cable underneath carpet or a rug or plug the cable into a power outlet shared by a number of other devices.
- Wrap the camera-end of the network cable twice around the provided ferrite core (28A2024-0A2, Laird Technologies) to subdue electromagnetic wave generation.



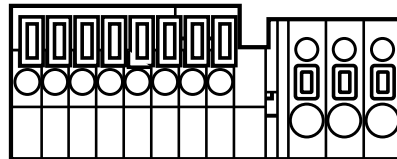
- The network connector is not designed to be connected directly with cable or wire intended for outdoor use.

LED Status Indications

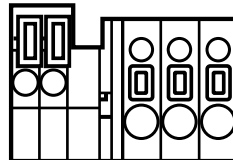
LED Status		Description
Power LED	Off	Power not connected
	Flashing	Booting
	On	Powered on
Network LED	On	Not connected to network
Power LED/ Network LED	Flashing (sequentially)	Software upgrade in progress

Connector Arrangement


TYPE 1



TYPE 2




Alarm TYPE 1	GND	Grounding
	Out	Alarm Out (Active Low - Open Collector Output)
	In	Alarm In
Audio TYPE 1	GND	Grounding
	Out	Audio Out
	In	Audio In
Video	GND	Grounding
	CVBS	Video Out
Power	DC12V +	Power connection (Check + and - markings)
	DC12V -	
	FGND	Frame grounding

 *DC-D1212R* receives power via PoE (Power over Ethernet) and is therefore incompatible with DC12V power sources.


Installation


Installation of this product does not require the use of special tools.

For more information on other devices comprising the overall system, refer to their respective **installation manuals**.

 Product color and design may vary depending on the model.

Installation

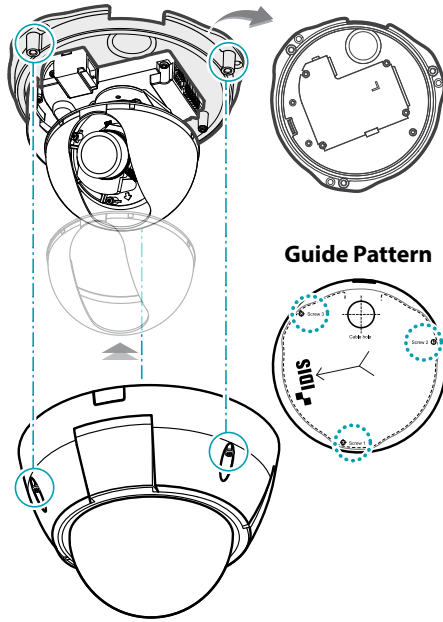
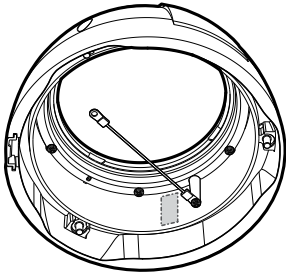
 Shield case is included with *DC-D1022W / DC-D1122 / DC-D1122V / DC-D1122W / DC-D1123 / DC-D1123V / DC-D1123W / DC-D1223 / DC-D1223V / DC-D1223W* only.

-  Check the wall or ceiling to see if it needs to be reinforced. The camera may fall off if the wall or ceiling is not strong enough to support its weight.
- Install the camera in a shaded area. If the camera is installed in direct sunlight, it may affect adversely.

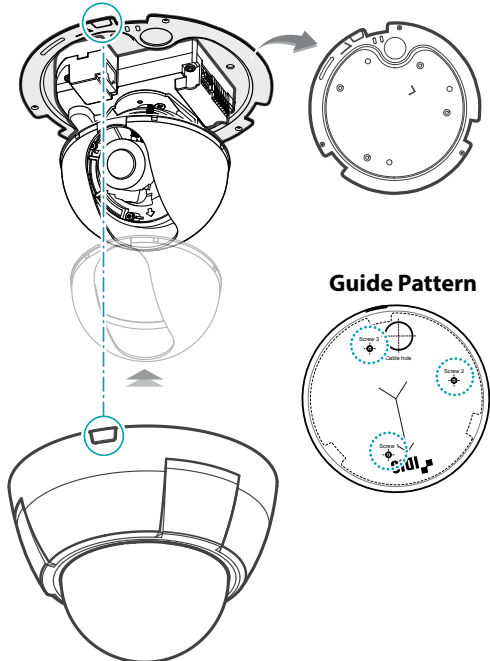
DC-D1022W / DC-D1022WR / DC-D1122V /
 DC-D1122VR / DC-D1122W / DC-D1122WR /
 DC-D1123V / DC-D1123VR / DC-D1123W /
 DC-D1123WHR / DC-D1123WR / DC-D1223V /
 DC-D1223VR / DC-D1223W / DC-D1223WHR / DC-
 D1223WR / DC-D1323WR / DC-D1323WHR



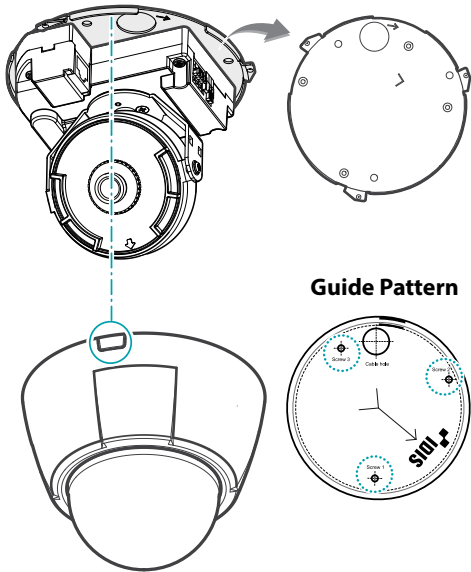
Attach the enclosed desiccant beside the safety wire screw inside the dome cover to prevent moisture. *DC-D1022W / DC-D1022WR / DC-D1122W / DC-D1122WR / DC-D1123W / DC-D1123WR / DC-D1123WHR / DC-D1223W / DC-D1223WR / DC-D1223WHR / DC-D1323WR / DC-D1323WHR* only.



DC-D1122 / DC-D1122R / DC-D1123 /
 DC-D1123R / DC-D1223 / DC-D1223R / DC-D1323R



DC-D1011 / DC-D1111 / DC-D1212 / DC-D1212R



1 Use the screws provided with the camera to secure the bottom cover on a wall or a ceiling.

Use the provided guide pattern to check the distance between the screws.

2 Connect external devices, the network cable, and the power adapter. If the camera is *DC-D1022W / DC-D1022WR / DC-D1122W / DC-D1122WR / DC-D1123W / DC-D1123WR / DC-D1123WHR / DC-D1223W / DC-D1223WR / DC-D1223WHR / DC-D1323WR / DC-D1323WHR*, block the cable access hole for waterproofing by using the enclosed cable access hole rubber when routing cables and wires. Waterproofing sealing is required by using silicone etc. after blocking the cable access hole. Ask your retailer for details.

3 Adjust the angle of the lens. For more information, refer to the **Angle Adjustment**.

4 Adjust the focus and zoom levers.

DC-D1011 / DC-D1111 / DC-D1212 / DC-D1212R models do not have a zoom feature.

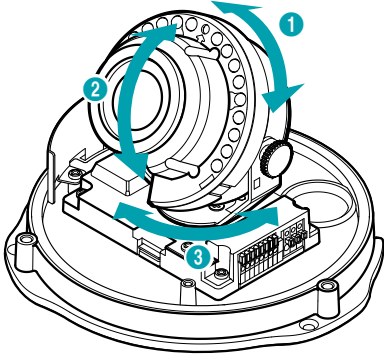
5 Attach the shield case to the vertical rotation adjustment screw and secure it in place.
DC-D1022W / DC-D1122 / DC-D1122V / DC-D1122W / DC-D1123 / DC-D1123V / DC-D1123W / DC-D1223 / DC-D1223V / DC-D1223W only

6 Attach the dome cover to the bottom cover.
 – *DC-D1022W / DC-D1022WR / DC-D1122V / DC-D1122VR / DC-D1122W / DC-D1122WR / DC-D1123V / DC-D1123VR / DC-D1123W / DC-D1123WR / DC-D1123WHR / DC-D1223V / DC-D1223VR / DC-D1223W / DC-D1223WR / DC-D1223WHR / DC-D1323WR / DC-D1323WHR*: Use the provided screws to secure the dome cover on to the bottom cover.
 – *DC-D1011 / DC-D1111 / DC-D1122 / DC-D1122R / DC-D1123 / DC-D1123R / DC-D1212 / DC-D1212R / DC-D1223 / DC-D1223R / DC-D1323R*: Align the marking next to the cable access hole on the bottom cover and the side cable access hole on the dome cover together and then turn the dome cover in clockwise direction to lock it in place.

7 Connect the power.

Angle Adjustment

The lens can be rotated along three axes.



1	Lens Rotation	3	Horizontal Rotation
2	Vertical Rotation		

- **Lens Rotation**

Used to adjust the lens' rotation angle. Turn the rotator in clockwise or counterclockwise direction.

- **Vertical Rotation**

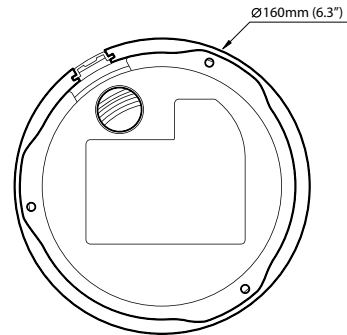
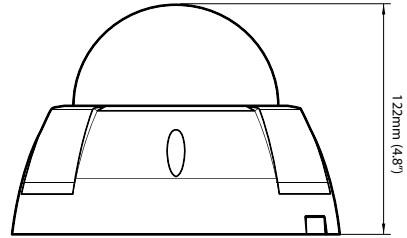
Used to adjust the lens' vertical angle. Loosen the screw, adjust the lens' vertical angle, and then tighten the screw to lock it in place.

- **Horizontal Rotation**

Used to adjust the lens' horizontal angle. Turn the horizontal rotator in the clockwise or counterclockwise direction.

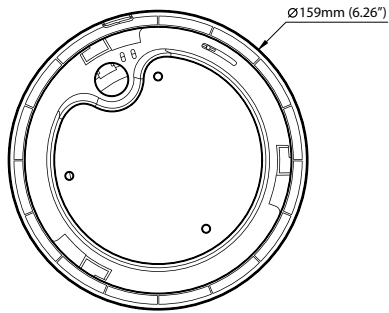
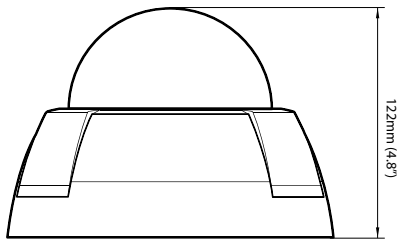
Dimensions

DC-D1022W / DC-D1022WR / DC-D1122V /
 DC-D1122VR / DC-D1122W / DC-D1122WR /
 DC-D1123V / DC-D1123VR / DC-D1123W /
 DC-D1123WR / DC-D1123WHR / DC-D1223V / DC-
 D1223VR / DC-D1223W / DC-D1223WR /
 DC-D1223WHR / DC-D1323WR / DC-D1323WHR

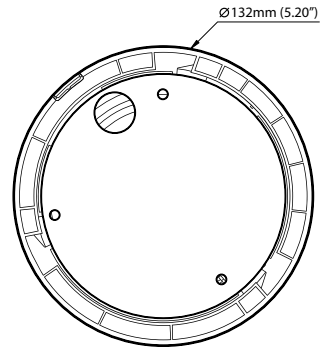
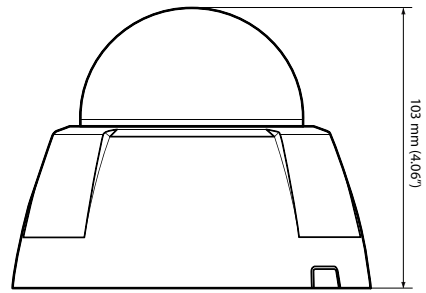


Part 1 – Introduction

DC-D1122 / DC-D1122R / DC-D1123 /
DC-D1123R / DC-D1223 / DC-D1223R / DC-D1323R



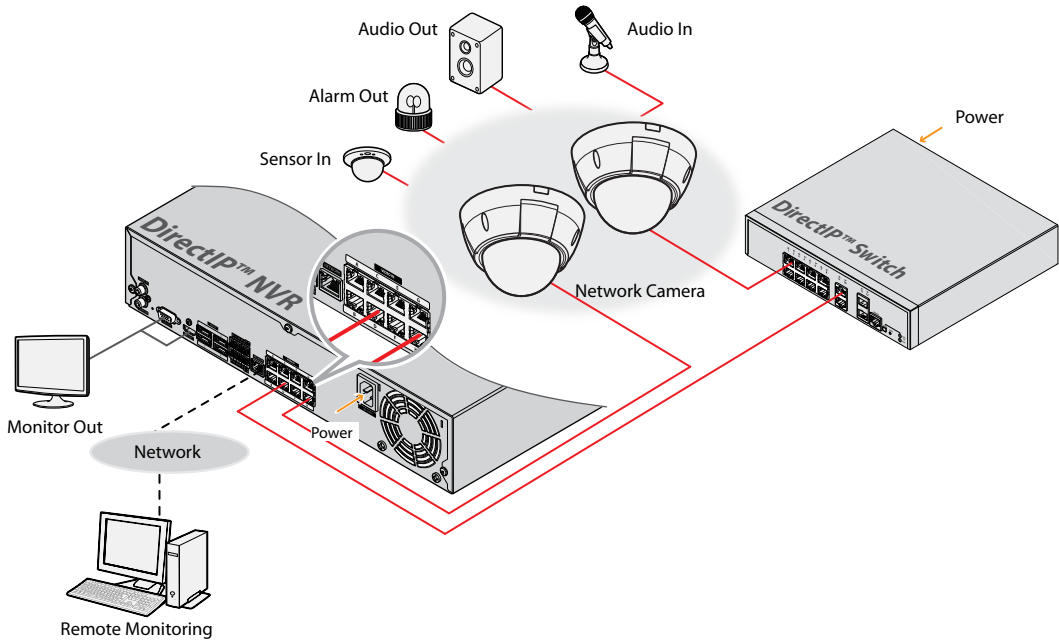
DC-D1011 / DC-D1111 / DC-D1212 / DC-D1212R



Part 2 - Camera Connection

Use the camera by connecting to DirectIP™ NVR or non DirectIP™ NVR, VMS such as IDIS Solution Suite Compact.

With DirectIP™ NVR-based Layout

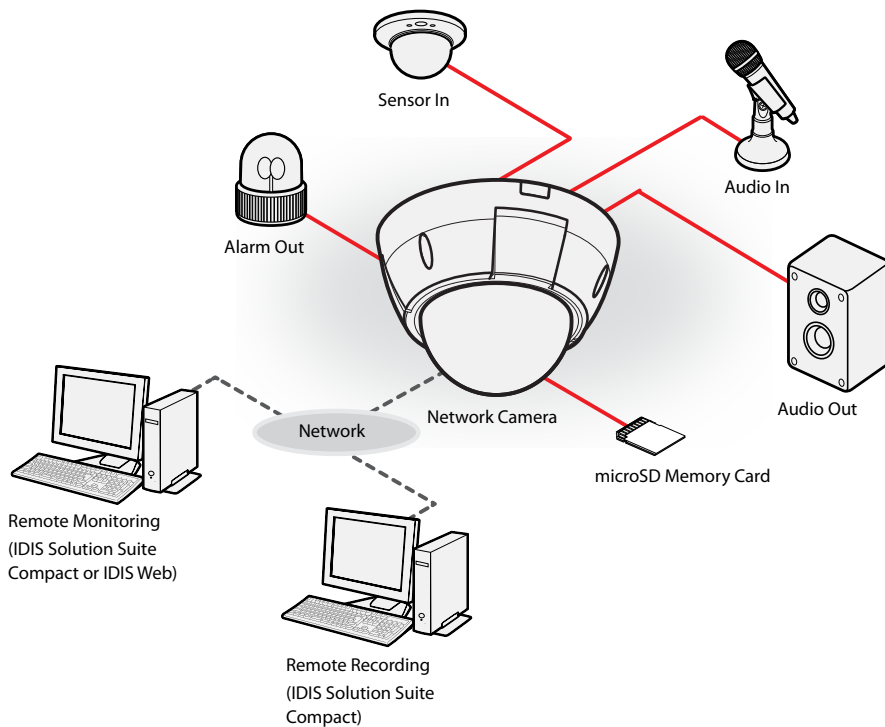


DirectIP™ NVR makes it easy to use cameras without extra network configurations. Each camera can be controlled via the DirectIP™ NVR setup menu, without any PC. For detailed camera settings, please see the camera setting pages of DirectIP™ NVR manual.

- ✓ Alarm In/Out, Audio In/Out and SD memory card recording are supported by **TYPE 1** models only.

For users using the camera with DirectIP™ NVR connection, do not need to consider contents in the camera operation manual.

With non DirectIP™ NVR-based Layout



Control the camera over the network from software installed on a computer.
Ideal for using the camera over the network from a remote location.



Alarm In/Out, Audio In/Out and SD memory card recording are supported by **TYPE 1** models only.

The contents in the camera operation manual are only for users using the camera with non DirectIP™ NVR connection or VMS connection such as IDIS Solution Suite Compact.

Part 3- Appendix

Troubleshooting

Problem	Check
The main unit won't turn on.	<ul style="list-style-type: none">• Check the power cable connection.• Check the power outlet.
PoE switch isn't being recognized.	Check the grounding status of the I/O device connected to the camera and the PoE switch. If they are not grounded, ground them and try again.
I can't see Live videos.	<ul style="list-style-type: none">• Check the camera's power status.• Ensure that cables are properly connected to the camera and the lens.• Check the network connection status of the computer and the network camera.
Images are blurry.	<ul style="list-style-type: none">• Make sure the lens is clean. If not, clean it using a soft piece of cloth or a brush.• Make sure the lens is in focus. Adjust the focus during daytime.• If there is too much light coming into the camera or the camera is picking up an overly bright light source, adjust the camera's position/angle accordingly.
Video color appears incorrect.	Check the white balance settings. If using the Auto option, it may take some time for the white balance to be adjusted.
Images are blinking.	If the camera is pointed at the sun or a fluorescent lamp, adjust the camera's angle away.
Lost the admin ID and password and unable to connect to a network camera.	You must perform a factory reset. A factory reset will revert all settings, including network settings, to their factory defaults. After performing a factory reset, make a memo of the admin ID and password as a safety precaution.
Unable to launch IDIS Web.	If the IDIS Web login screen is not loading, check which version of Microsoft Internet Explorer you are using. IDIS Web may not launch properly on versions 8.0 or below.

Specifications



These product specifications may change without prior notice.



Lens

Lens Type	DC-D1022W / DC-D1022WR / DC-D1122 / DC-D1122R / DC-D1122V / DC-D1122VR / DC-D1122W / DC-D1122WR / DC-D1123 / DC-D1123R / DC-D1123V / DC-D1123VR / DC-D1123W / DC-D1123WR / DC-D1123WHR	Variable Focus Automatic Iris Lens: F1.6
	DC-D1223 / DC-D1223R / DC-D1223V / DC-D1223VR / DC-D1223W / DC-D1223WR / DC-D1223WHR / DC-D1323R / DC-D1323WR / DC-D1323WHR	Variable Focus Automatic Iris Lens: F1.3
	DC-D1011 / DC-D1111 / DC-D1212 / DC-D1212R	Fixed Focus Lens: F2.0
Focal Length	DC-D1022W / DC-D1022WR / DC-D1122 / DC-D1122R / DC-D1122V / DC-D1122VR / DC-D1122W / DC-D1122WR / DC-D1123 / DC-D1123R / DC-D1123V / DC-D1123VR / DC-D1123W / DC-D1123WR / DC-D1123WHR	3.3mm - 12mm
	DC-D1223 / DC-D1223R / DC-D1223V / DC-D1223VR / DC-D1223W / DC-D1223WR / DC-D1223WHR / DC-D1323R / DC-D1323WR / DC-D1323WHR	3.3mm - 10mm
	DC-D1011	3.8mm
	DC-D1111	4mm
	DC-D1212 / DC-D1212R	4.3mm
Viewing Angle	DC-D1022W / DC-D1022WR / DC-D1122 / DC-D1122R / DC-D1122V / DC-D1122VR / DC-D1122W / DC-D1122WR / DC-D1123 / DC-D1123R / DC-D1123V / DC-D1123VR / DC-D1123W / DC-D1123WR / DC-D1123WHR	H: 109.0° (Wide) - 29.0° (Tele) V: 56.0° (Wide) - 15.0° (Tele) D: 122.0° (Wide) - 31.0° (Tele)
	DC-D1223 / DC-D1223R / DC-D1223V / DC-D1223VR / DC-D1223W / DC-D1223WR / DC-D1223WHR	H: 108.2° (Wide) - 35.4° (Tele) V: 56.2° (Wide) - 19.8° (Tele) D: 129.3° (Wide) - 40.5° (Tele)
	DC-D1323R / DC-D1323WR / DC-D1323WHR	H: 84.1° (Wide) - 28.8° (Tele) V: 61.3° (Wide) - 21.6° (Tele) D: 109.7° (Wide) - 36° (Tele)
	DC-D1011	H: 57° / V: 30° / D: 63°
	DC-D1111	H: 88° / V: 48° / D: 100°
	DC-D1212 / DC-D1212R	H: 88° / V: 49° / D: 100°

Lens Iris Control	TYPE 1 / DC-D1022W / DC-D1022WR / DC-D1122 / DC-D1122R / DC-D1122V / DC-D1122VR / DC-D1122W / DC-D1122WR	DC Auto Iris
	DC-D1011 / DC-D1111 / DC-D1212 / DC-D1212R	F2.0
Day & Night Filter	TYPE 1 / DC-D1022W / DC-D1022WR / DC-D1122 / DC-D1122R / DC-D1122V / DC-D1122VR / DC-D1122W / DC-D1122WR / DC-D1212R	Supported

Camera

Image Sensor	TYPE 1 / DC-D1022W / DC-D1022WR / DC-D1111 / DC-D1122 / DC-D1122R / DC-D1122V / DC-D1122VR / DC-D1122W / DC-D1122WR / DC-D1212 / DC-D1212R	1/2.7" CMOS
	DC-D1323R / DC-D1323WR / DC-D1323WHR	1/3" CMOS
	DC-D1011	1/4" CMOS
Minimum Subject Lux	DC-D1022W / DC-D1122 / DC-D1122V / DC-D1122W / DC-D1123 / DC-D1123V / DC-D1123W	0.5 Lux @ F1.6 (30 IRE)
	DC-D1223 / DC-D1223V / DC-D1223W	0.5 Lux @ F1.3 (30 IRE)
	DC-D1011 / DC-D1111 / DC-D1212	0.5 Lux @ F 2.0 (30 IRE)
	DC-D1022WR / DC-D1122R / DC-D1122VR / DC-D1122WR / DC-D1123R / DC-D1123VR / DC-D1123WR / DC-D1123WHR	IR LED OFF : 0.5 Lux @ F1.6 (30 IRE) IR LED ON : 0 Lux @ F1.6 (30 IRE)
	DC-D1223R / DC-D1223VR / DC-D1223WR / DC-D1223WHR / DC-D1323R / DC-D1323WR / DC-D1323WHR	IR LED OFF : 0.5 Lux @ F1.3 (30 IRE) IR LED ON : 0 Lux @ F1.3 (30 IRE)
	DC-D1212R	IR LED OFF : 0.5 Lux @ F2.0 (30 IRE) IR LED ON : 0 Lux @ F2.0 (30 IRE)
Scanning Method		Progressive scan
Signal-to-Noise Ratio		> 45 dB
Dynamic Range (Digital WDR)		> 90 dB
Electronic Shutter		Auto
IR LED	DC-D1022WR / DC-D1122R / DC-D1122VR / DC-D1122WR / DC-D1123R / DC-D1123VR / DC-D1123WR / DC-D1123WHR / DC-D1223R / DC-D1223VR / DC-D1223WR / DC-D1223WHR / DC-D1323R / DC-D1323WR / DC-D1323WHR	LED x 18 (850 nm)
	DC-D1212R	LED x 16 (850 nm)

Lighting Sensor	DC-D1022WR / DC-D1122R / DC-D1122VR / DC-D1122WR / DC-D1123R / DC-D1123VR / DC-D1123WR / DC-D1123WHR / DC-D1212R / DC-D1223R / DC-D1223VR / DC-D1223WR / DC-D1223WHR / DC-D1323R / DC-D1323WR / DC-D1323WHR	Supported
IR Range	DC-D1022WR / DC-D1122R / DC-D1122VR / DC-D1122WR / DC-D1123R / DC-D1123VR / DC-D1123WR / DC-D1123WHR / DC-D1212R / DC-D1223R / DC-D1223VR / DC-D1223WR / DC-D1223WHR / DC-D1323R / DC-D1323WR / DC-D1323WHR	20 m
External Storage¹ (Optional)		 (MicroSD (SDHC) Memory Card (Class 6 or above, up to 32 GB))

¹ An SLC (Single Level Cell) or MLC (Multi Level Cell) card by SanDisk or Transcend is recommended to ensure stable recording performance.

¹ An SD memory card is a consumable product with a finite service life. Prolonged use will damage the card's memory sectors and result in data loss or memory card failure. Test the SD memory card regularly and replace it whenever necessary.

¹ microSD Logo is a trademark of SD-3C, LLC.

Video

Signal Format	NTSC or PAL (selectable)	
Compression Algorithm	H.264, M-JPEG (supports 4-stage image compression rate)	
Compression Resolution	DC-D1011 / DC-D1022W / DC-D1022WR	352x240, 704x480
	DC-D1111 / DC-D1122 / DC-D1122V / DC-D1122VR / DC-D1122W / DC-D1122WR / DC-D1123 / DC-D1123R / DC-D1123V / DC-D1123VR / DC-D1123W / DC-D1123WR / DC-D1123WHR	352x240, 704x480, 1280x720
	DC-D1212R / DC-D1223 / DC-D1223R / DC-D1223V / DC-D1223VR / DC-D1223W / DC-D1223WR / DC-D1223WHR	352x240, 704x480, 1280x720, 1920x1080
	DC-D1323R / DC-D1323WR / DC-D1323WHR	352x240, 704x480, 1280x720, 1920x1080, 2304x1296

Bitrate Control	DC-D1011 / DC-D1022W / DC-D1022WR	H.264 – CBR / VBR (up to 4 Mbps)
	DC-D1111 / DC-D1122 / DC-D1122V / DC-D1122VR / DC-D1122W / DC-D1122WR / DC-D1123 / DC-D1123R / DC-D1123V / DC-D1123VR / DC-D1123W / DC-D1123WR / DC-D1123WHR	H.264 – CBR / VBR (up to 8 Mbps)
	DC-D1212R / DC-D1223 / DC-D1223R / DC-D1223V / DC-D1223VR / DC-D1223W / DC-D1223WR / DC-D1223WHR / DC-D1323R / DC-D1323WR / DC-D1323WHR	H.264 – CBR / VBR (up to 10 Mbps)
Max. Transmission Rate (frames per second)	DC-D1011 / DC-D1022W / DC-D1022WR	30 ips @ 704x480 + 30 ips @ 704x480
	DC-D1111 / DC-D1122 / DC-D1122V / DC-D1122VR / DC-D1122W / DC-D1122WR / DC-D1123 / DC-D1123R / DC-D1123V / DC-D1123VR / DC-D1123W / DC-D1123WR / DC-D1123WHR	30 ips @ 1280x720 + 15 ips @ 1280x720
	DC-D1323R / DC-D1323WR / DC-D1323WHR	15 ips @ 2304x1296 + 15 ips @ 1280x720 + 15 ips @ 1280x720
	DC-D1212 / DC-D1212R / DC-D1223 / DC-D1223R / DC-D1223V / DC-D1223VR / DC-D1223W / DC-D1223WR / DC-D1223WHR	30 ips @ 1920x1080 + 30 ips @ 704x480
Multi-Stream		Primary, Secondary, Tertiary

Audio **TYPE 1**

Compression Algorithm	G.726 (16KHz), G.711 μ – Law (8KHz)
------------------------------	---

I/O

Video Out ⁱⁱ		1 Vp-p
Audio In	TYPE 1	1 Line In
Audio Out	TYPE 1	1 Line Out
Alarm In	TYPE 1	1 TTL, NC/NO programmable, 4.3V (NC) or 0.3V (NO) threshold, 5 VDC
Alarm Out	TYPE 1	1 TTL open collector, Max load:50mA, Max voltage:30VDC
Network Connection		10/100 Mbps Ethernet

ⁱⁱ Use these ports for previewing video and not monitoring video.

Connector

Video Out ⁱⁱⁱ		Terminal Block
Audio I/O	TYPE 1	Terminal Block (mono)
Alarm I/O	TYPE 1	Terminal Block
Ethernet Port		RJ-45

ⁱⁱⁱ Use these ports for previewing video and not monitoring video.

General

External Dimensions (Ø x H)	TYPE 1 / DC-D1022W / DC-D1022WR / DC-D1122 / DC-D1122R / DC-D1122V / DC-D1122VR / DC-D1122W / DC-D1122WR	160mm x 122mm (6.3" x 4.8")
	DC-D1011 / DC-D1111 / DC-D1212 / DC-D1212R	132mm x 103mm (5.2" x 4.06")
Weight (Main Unit)	DC-D1022W / DC-D1022WR / DC-D1122V / DC-D1122VR / DC-D1122W / DC-D1122WR / DC-D1123V / DC-D1123VR / DC-D1123W / DC-D1123WHR / DC-D1123WR / DC-D1223V / DC-D1223VR / DC-D1223W / DC-D1223WHR / DC-D1223WR / DC-D1323WR / DC-D1323WHR	0.87kg (1.92lb)
	DC-D1122 / DC-D1122R / DC-D1123 / DC-D1123R / DC-D1223 / DC-D1223R / DC-D1323R	0.51 kg (1.12lb)
	DC-D1011 / DC-D1111 / DC-D1212 / DC-D1212R	0.35kg (0.77lb)
Boot Up Temperature	DC-D1123 / DC-D1123R / DC-D1123V / DC-D1123VR / DC-D1123W / DC-D1123WR / DC-D1223 / DC-D1223R / DC-D1223V / DC-D1223VR / DC-D1223W / DC-D1223WR / DC-D1323R / DC-D1323WR / TYPE 2	0°C ~ 50°C (32°F ~ 122°F)
	DC-D1123WHR / DC-D1223WHR / DC-D1323WHR	0°C ~ 50°C (32°F ~ 122°F) [-4°F ~ 122°F (-20°C ~ 50°C) when the heater is operating]
Working Temperature	DC-D1123 / DC-D1123R / DC-D1123V / DC-D1123VR / DC-D1123W / DC-D1123WR / DC-D1223 / DC-D1223R / DC-D1223V / DC-D1223VR / DC-D1223W / DC-D1223WR / DC-D1323R / DC-D1323WR / TYPE 2	-10°C ~ 50°C (14°F ~ 122°F)
	DC-D1123WHR / DC-D1223WHR / DC-D1323WHR	-10°C ~ 50°C (14°F ~ 122°F) [-40°F ~ 122°F (-40°C ~ 50°C) when the heater is operating]
Operating Humidity		0% ~ 90%

Power Input ^{iv}	TYPE 1 / DC-D1011 / DC-D1022W / DC-D1022WR / DC-D1111 / DC-D1122 / DC-D1122R / DC-D1122V / DC-D1122VR / DC-D1122W / DC-D1122WR	12V DC, PoE(IEEE 802.3af, Class2)
	DC-D1212 / DC-D1212R	PoE(IEEE 802.3af, Class 2)
Power Consumption	TYPE 1 / TYPE 2	Max. 4.8W (DC-D1123WHR / DC-D1223WHR / DC-D1323WHR - With heater on: Max. 19.2W)
Certifications		FCC, CE, UL ^v , IP66 ^{vi}

^{iv} This product is intended to be supplied by a Listed Power Supply Unit marked "Class2" and rated from 12 VDC, min. 3A.

^{iv} Overvoltage Category I, Pollution Degree 2

^v Applies to DC-D1223R model only.

^v CAUTION: Risk of Explosion if Battery is replaced by an Incorrect Type. Dispose of Used Batteries According to the Instructions. This equipment is indoor use and all the communication wiring are limited to inside of the building.

^{vi} Applies to DC-D1022W / DC-D1022WR / DC-D1122W / DC-D1122WR / DC-D1123W / DC-D1123WR / DC-D1123WHR / DC-D1223W / DC-D1223WR / DC-D1223WHR / DC-D1323WR / DC-D1323WHR models only.



IDIS Co., Ltd.

For more information, please visit at
www.idisglobal.com